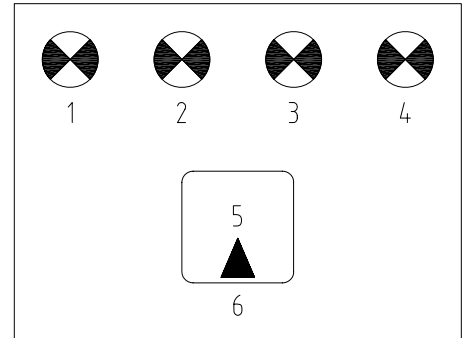
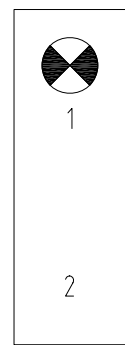


LABEL DETAIL
TYPE: 441 REF: L 2A



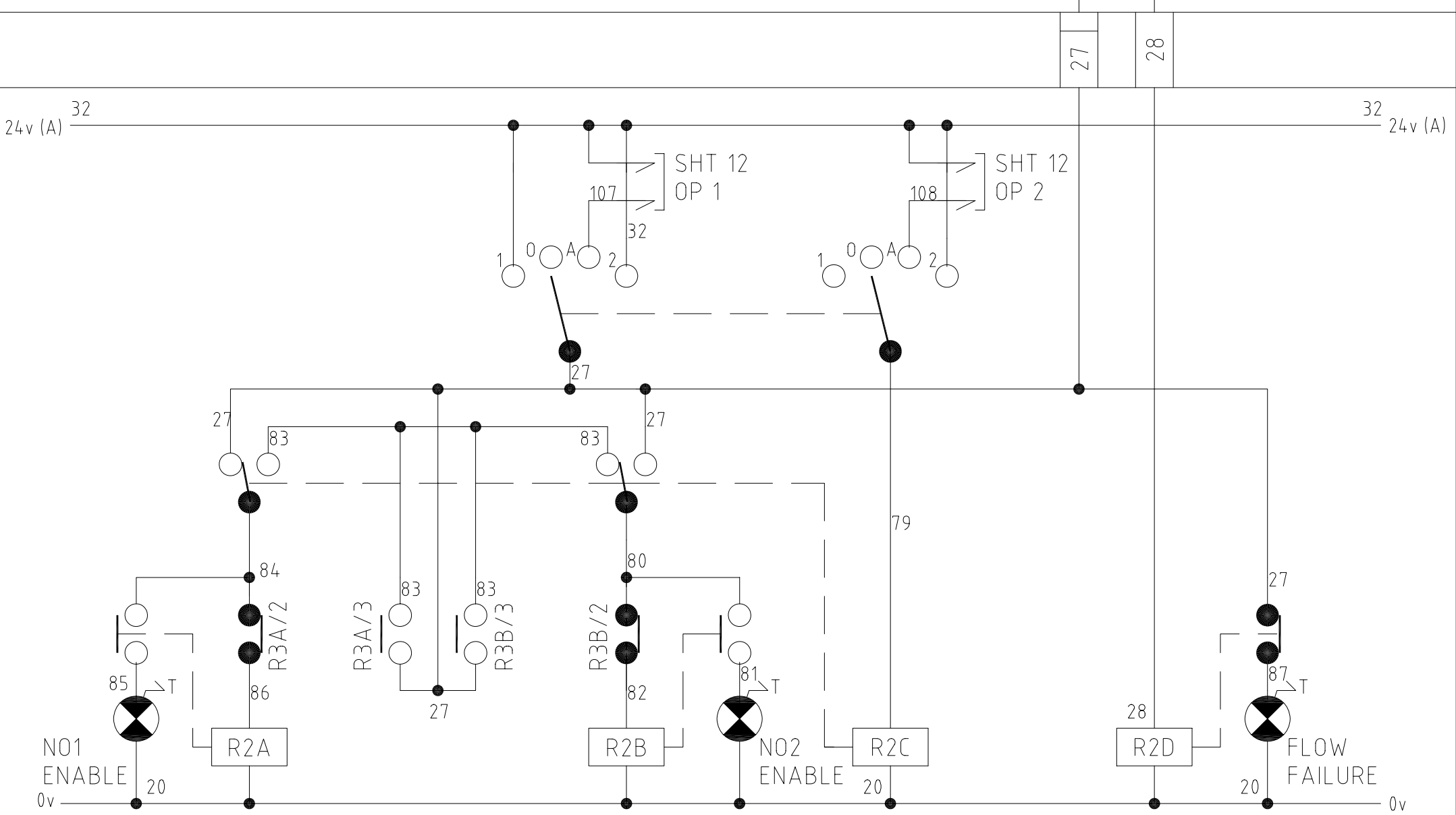
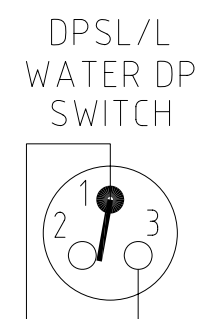
- 1) No1 ENABLED - GREEN
- 2) No1 FAULT - RED
- 3) No2 ENABLED - GREEN
- 4) No2 FAULT - RED
- 5) 1 / 0 / A / 2
- 6) LTHW VT CIRCUIT PUMPS P/VT5.0/a & b

LABEL DETAIL
TYPE: 110 REF: L 2B



- 1) FLOW FAILURE - RED
- 2) LTHW VT CIRCUIT PUMPS P/VT5.0/a & b

CONTROL CIRCUIT FOR RUN/STANBY
LTHW VT CIRCUIT PUMPS
P/VT5.0/a & b



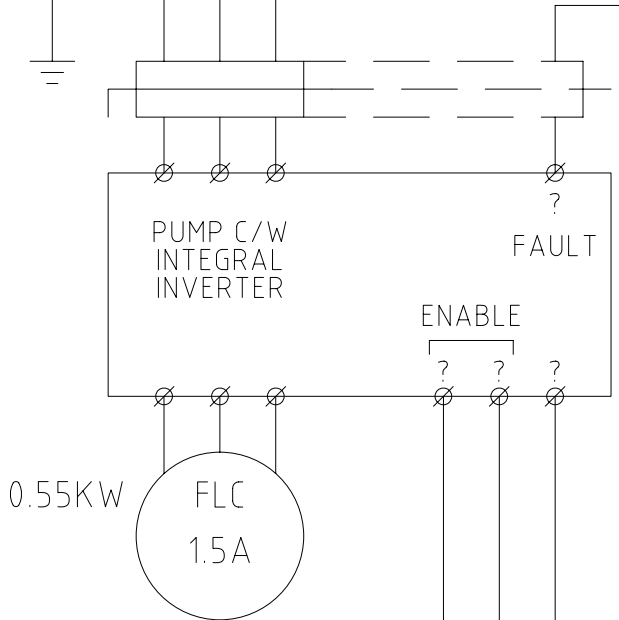
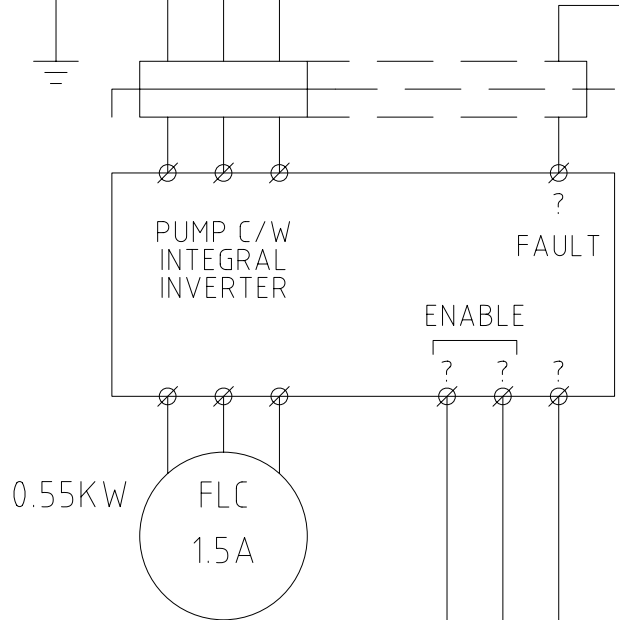
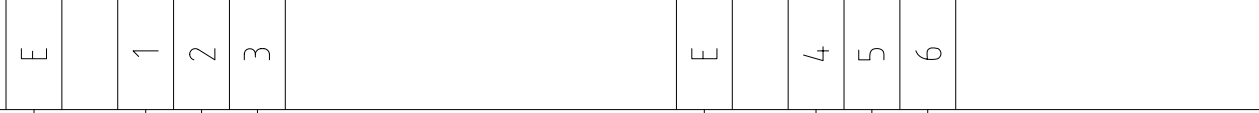
L1
L2
L3
N

SEE SHEET 2 FOR LABEL LAYOUT

MCB3A
4A

MCB3B
4A

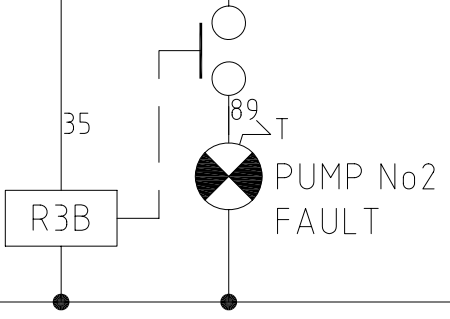
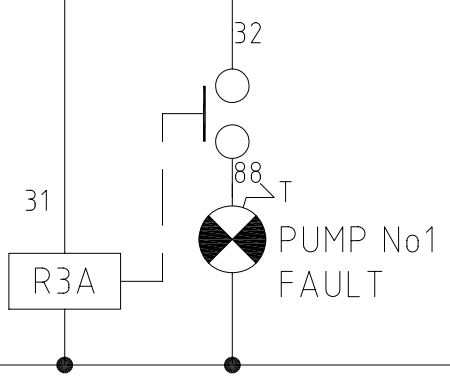
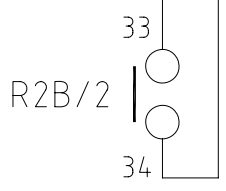
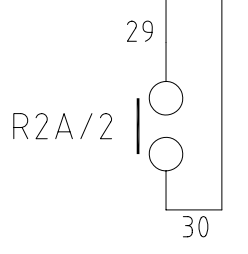
4392 Startwin IVS Sensorless-50-160-0.55KW



RUN/STANDBY
LTHW VT CIRCUIT PUMPS
P/VT5.0/a & b



24v (A) 32 24v (A) 32

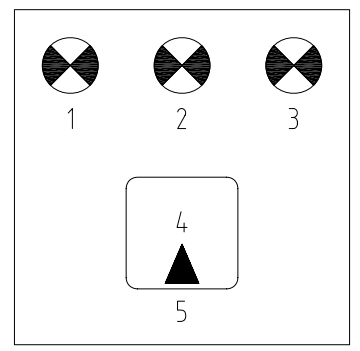


0v 20 0v 20

L1
L2
L3
N

MCB4A
16A

LABEL DETAIL
TYPE: 331 REF: L 4A

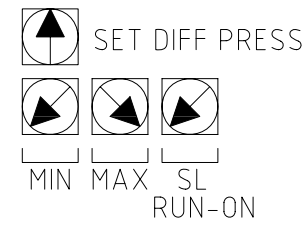


- 1) ENABLED - GREEN
- 2) RUN - GREEN
- 3) FAULT - RED
- 4) HAND / OFF / AUTO
- 5) DANCE DRAMA TOILET/CHANGING ROOM TWIN EXTRACT FAN SET TEF/007

E 7 8

NUAIRE ECOSMART CONSTANT PRESSURE
TWINFAN - CIRCULAR SPIGOT

ESTCP9-X

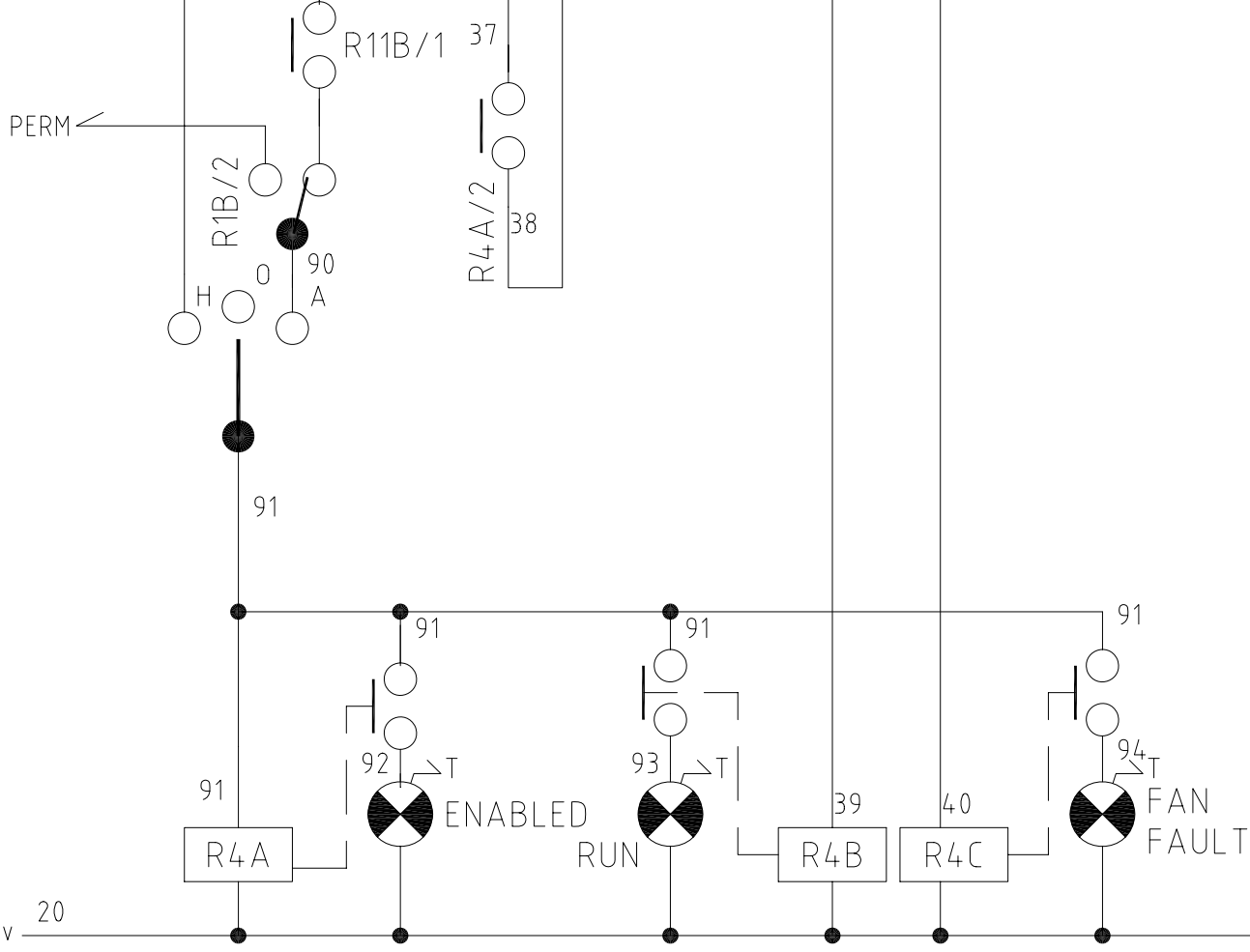


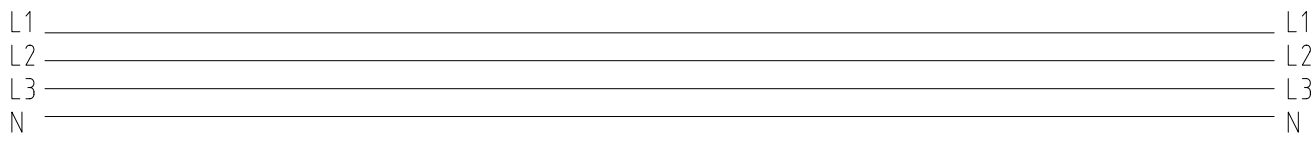
- MIN - MINIMUM SPD ADJUST
- MAX - MAX SPD ADJUST
- SL RUN-ON - SWITCHED LIVE RUN-ON
TIMER ADJUSTMENT

DANCE DRAMA TOILET/CHANGING ROOM
TWIN EXTRACT FAN SET
TEF/007

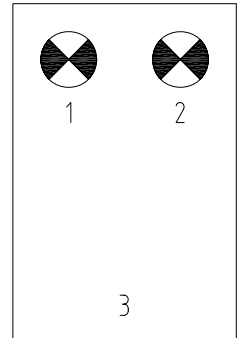
37 38 39 40 41

24v (A) 32 24v (A)





LABEL DETAIL
TYPE: 220 REF: L 5A

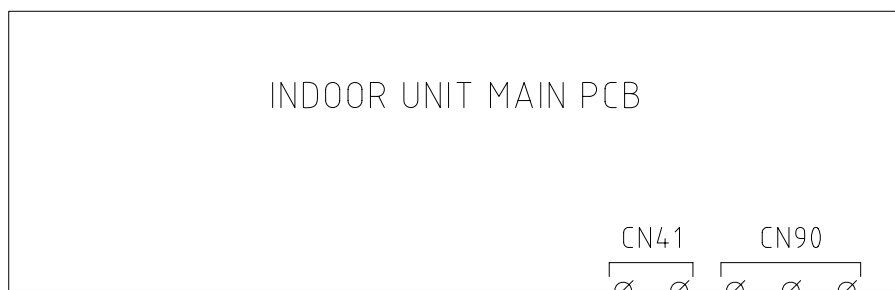


- 1) RUN - GREEN
- 2) FAULT - RED
- 3) CONTROL ROOM DX COOLING SYSTEM DX/3.25/01

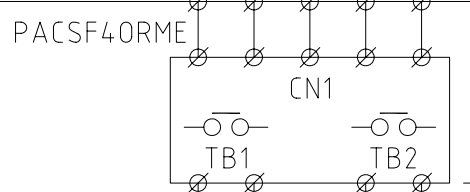
MAIN POWER SUPPLIES TO INDOOR AND OUTDOOR UNITS
BY MAIN ELECTRICAL CONTRACTOR

INTERCONNECTING WIRING BY OTHERS

CONTROL ROOM DX COOLING SYTSEM DX/3.25/01

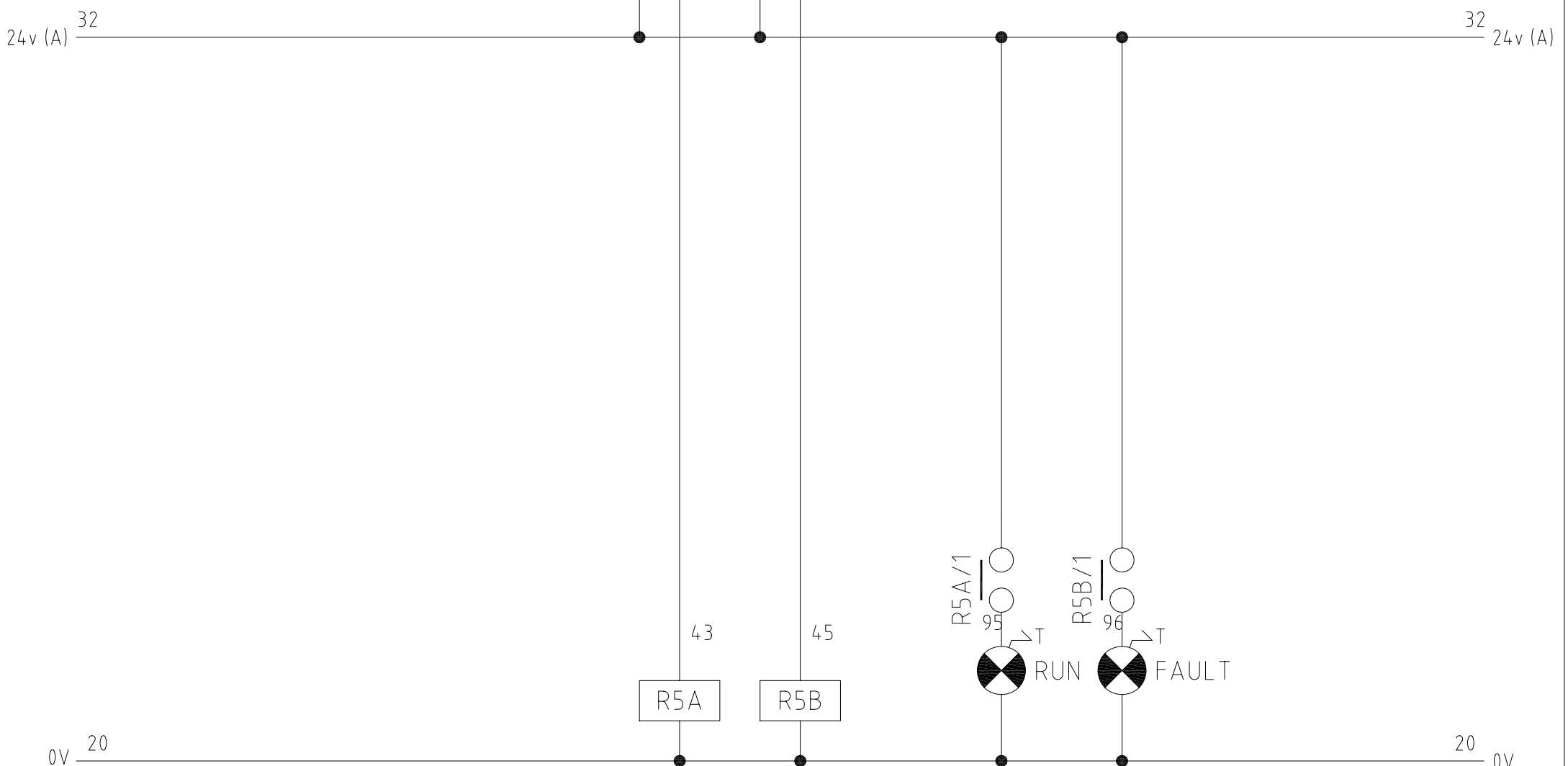
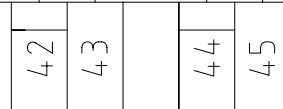


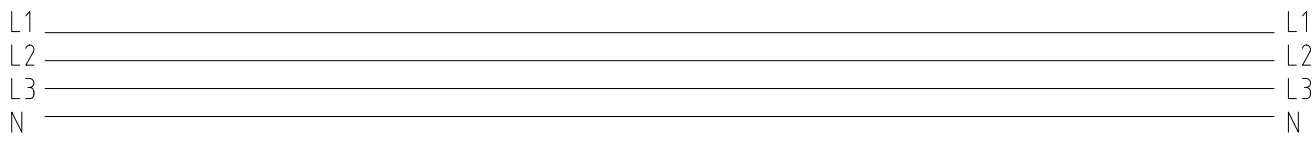
- PLARP3AA - 4 WAY BLOW CASSETTE UNITS
- PAR20 - HARD WIRED LCD CONTROLLER
- PAC3 - 3 WIRE ADAPTOR
- PAC5 - 5 WIRE ADAPTOR
- PUP2.5VGAA - HEAT PUMP R407c CONDENSING UNIT



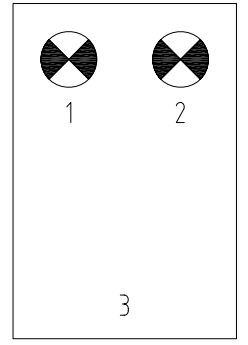
100 METERS
MAXIMUM

V/F CONTACTS
24VAC, 50mA





LABEL DETAIL
TYPE: 220 REF: L 6A

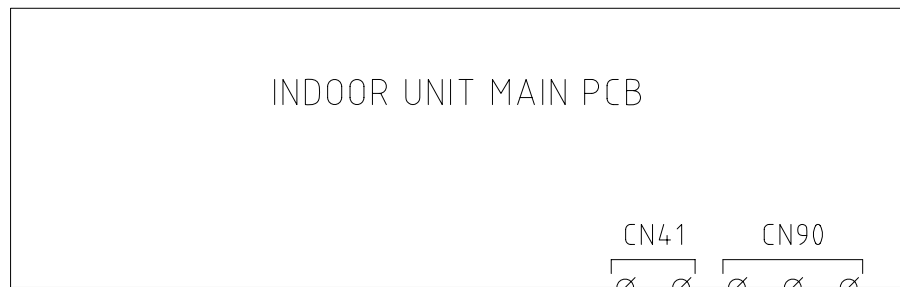


- 1) RUN - GREEN
- 2) FAULT - RED
- 3) CONTROL ROOM DX COOLING SYSTEM DX/3.25/02

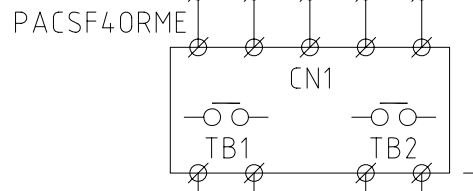
MAIN POWER SUPPLIES TO INDOOR AND OUTDOOR UNITS
BY MAIN ELECTRICAL CONTRACTOR

INTERCONNECTING WIRING BY OTHERS

CONTROL ROOM DX COOLING SYTSEM DX/3.25/02

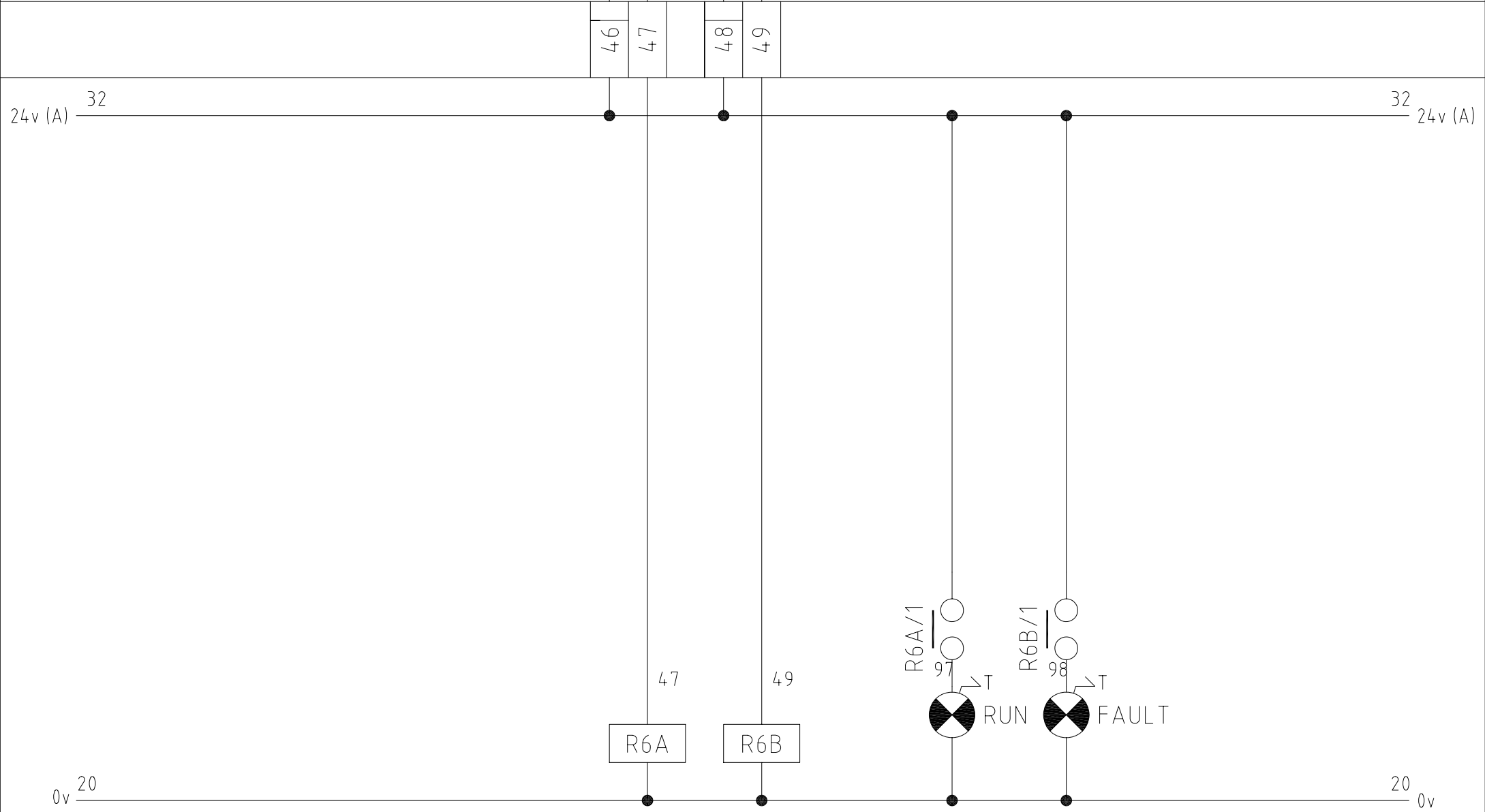


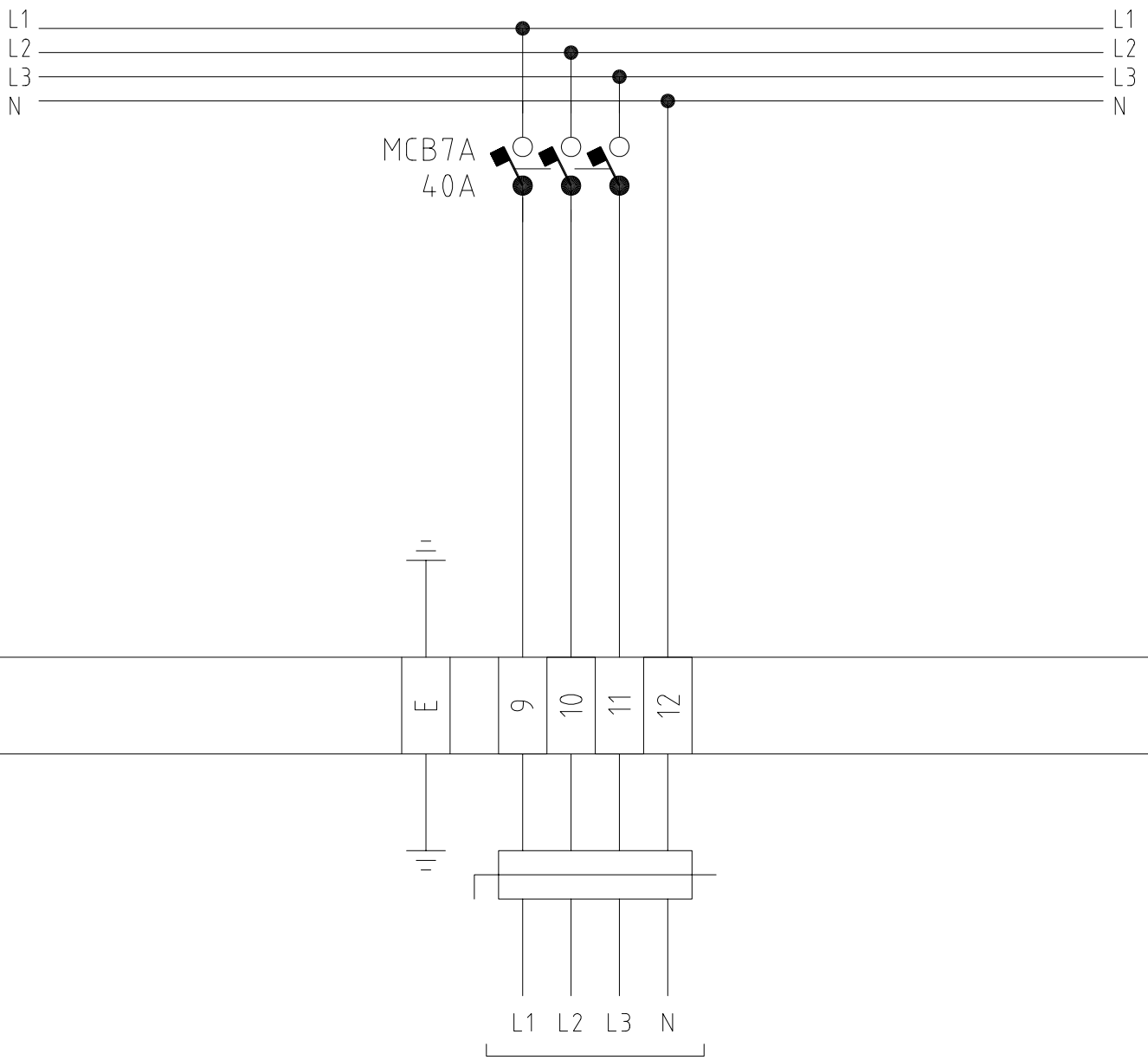
- PLARP3AA - 4 WAY BLOW CASSETTE UNITS
- PAR20 - HARD WIRED LCD CONTROLLER
- PAC3 - 3 WIRE ADAPTOR
- PAC5 - 5 WIRE ADAPTOR
- PUP2.5VGAA - HEAT PUMP R407c CONDENSING UNIT



100 METERES
MAXIMUM

V/F CONTACTS
24VAC, 50mA





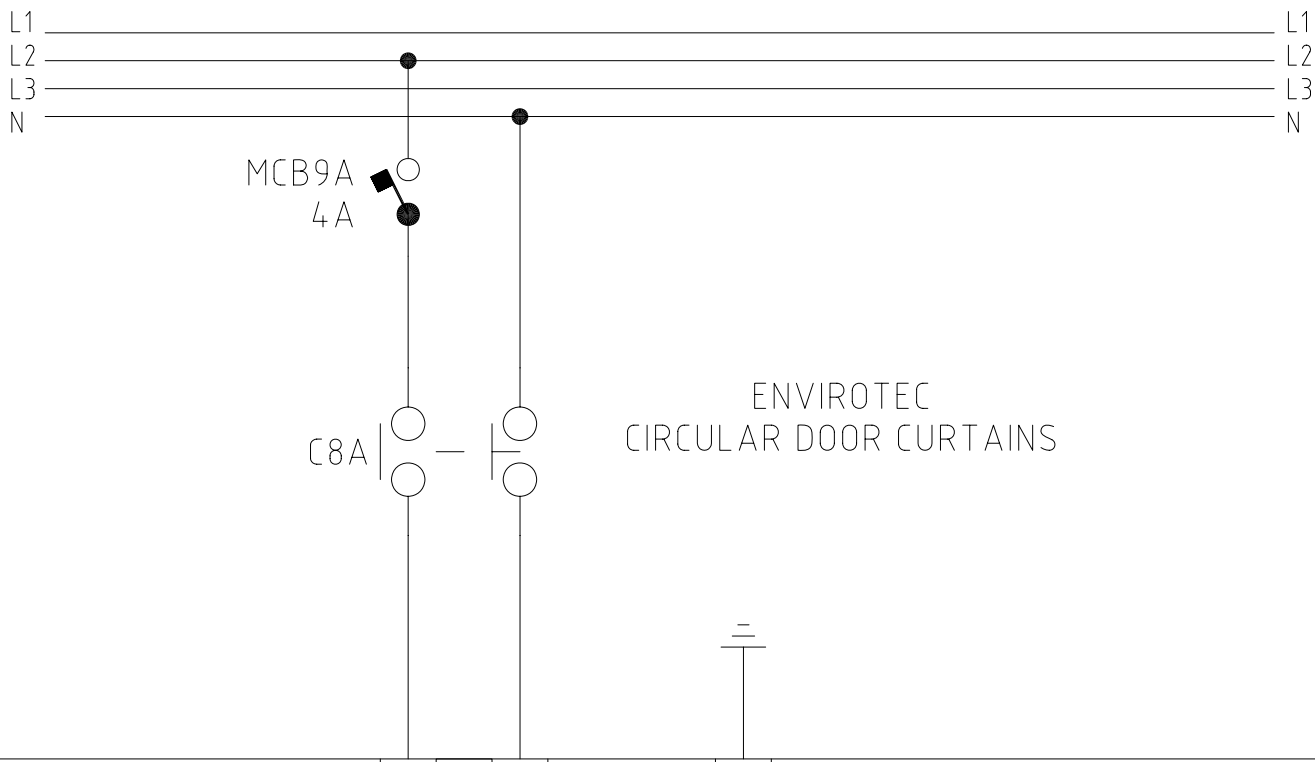
AHU 001-003 FLC 46A
 AHU 004 FLC T.B.A (GREATER THAN 46A)

DANCE DRAMA PACKAGED ADIABATIC AHU/004
 (FLC: APPROX x)

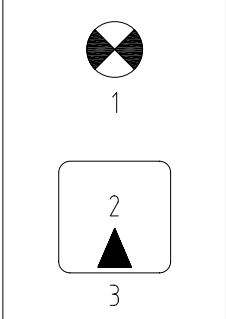
ALL PACKAGED BY ACP WITH TREND IQ3 WEB-ENABLED CONTROLS

24v (A) ————— 24v (A)

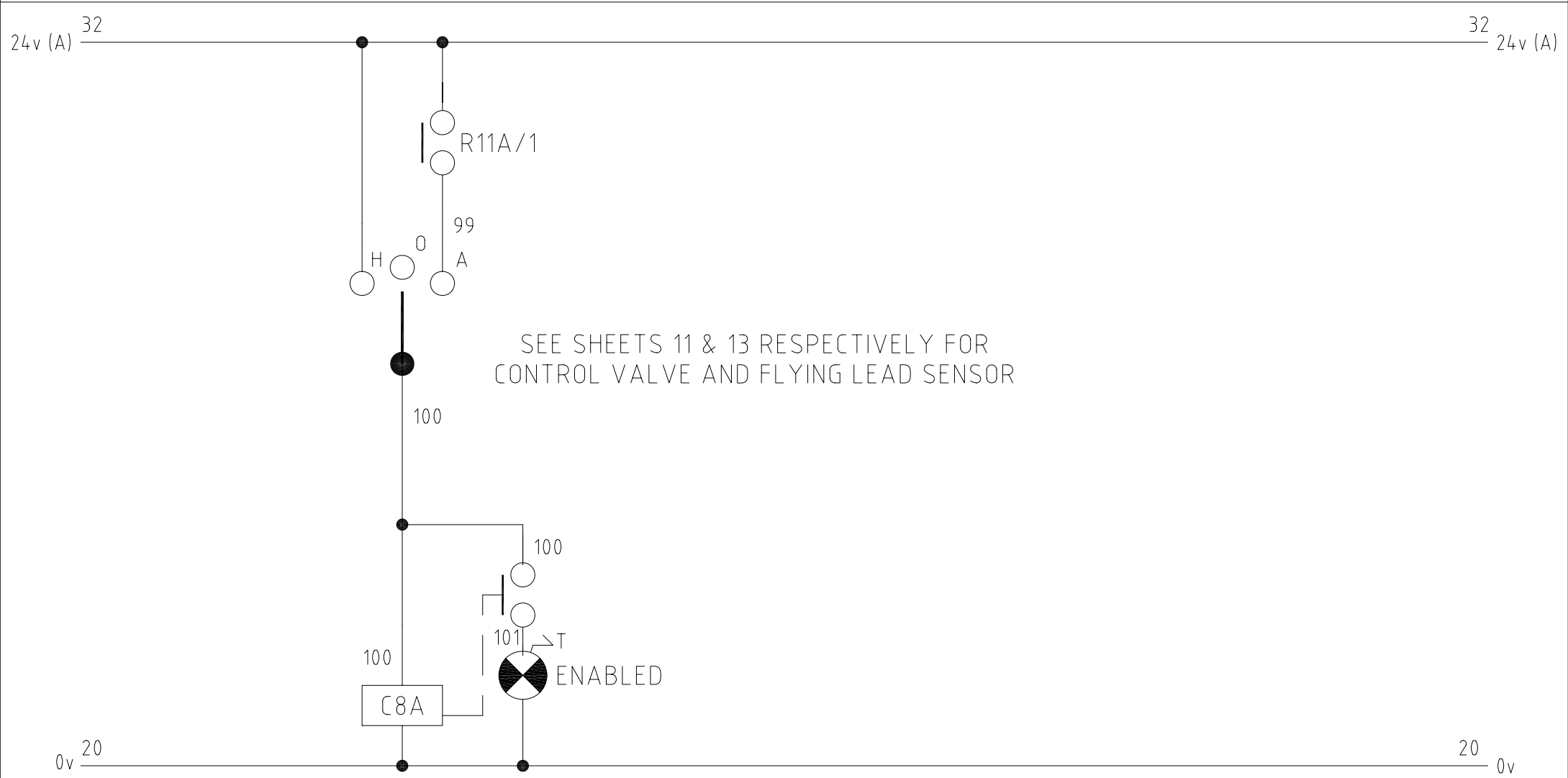
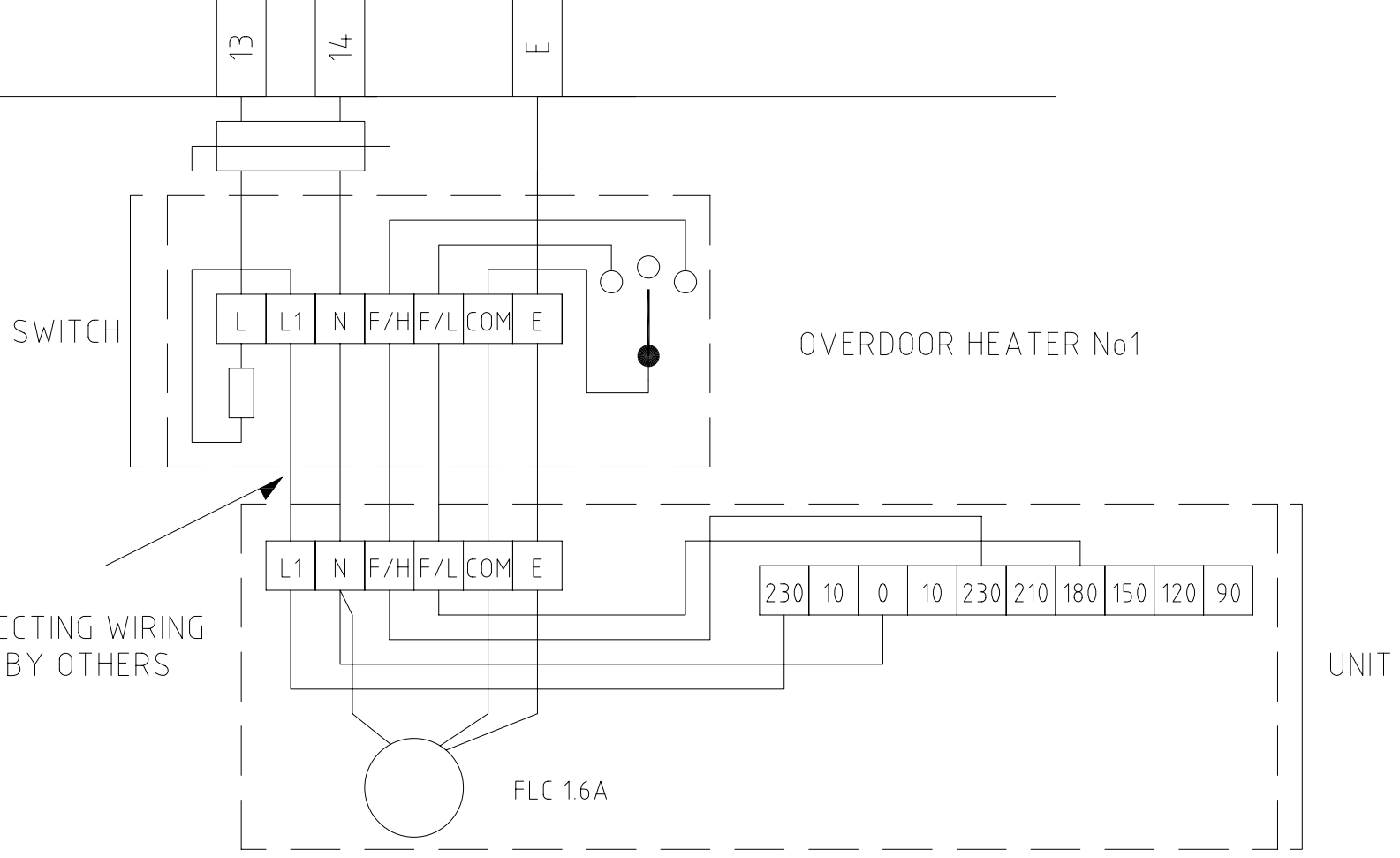
0v ————— 0v



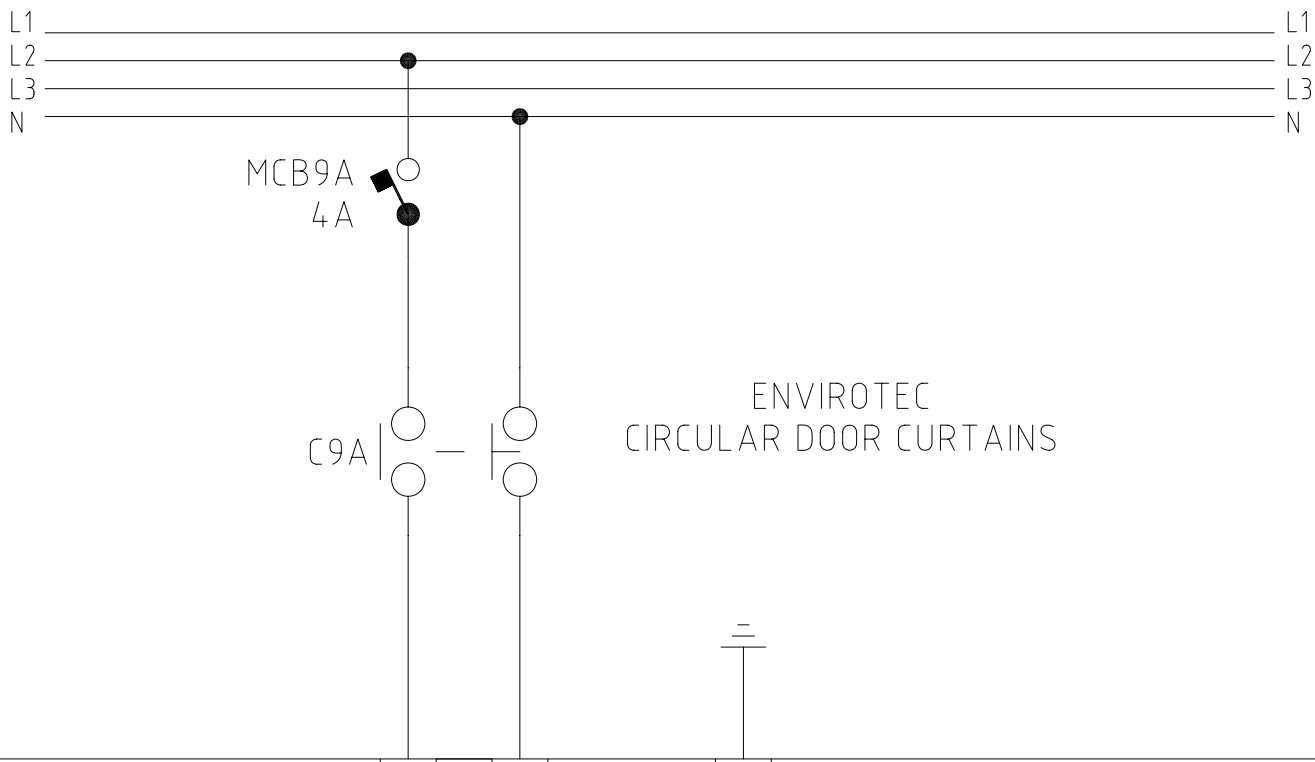
LABEL DETAIL
TYPE: 211 REF: L 9A



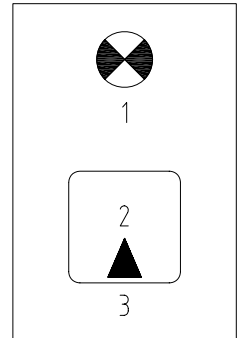
- 1) ENABLED - GREEN
- 2) HAND / OFF / AUTO
- 3) OVERDOOR HEATER No2



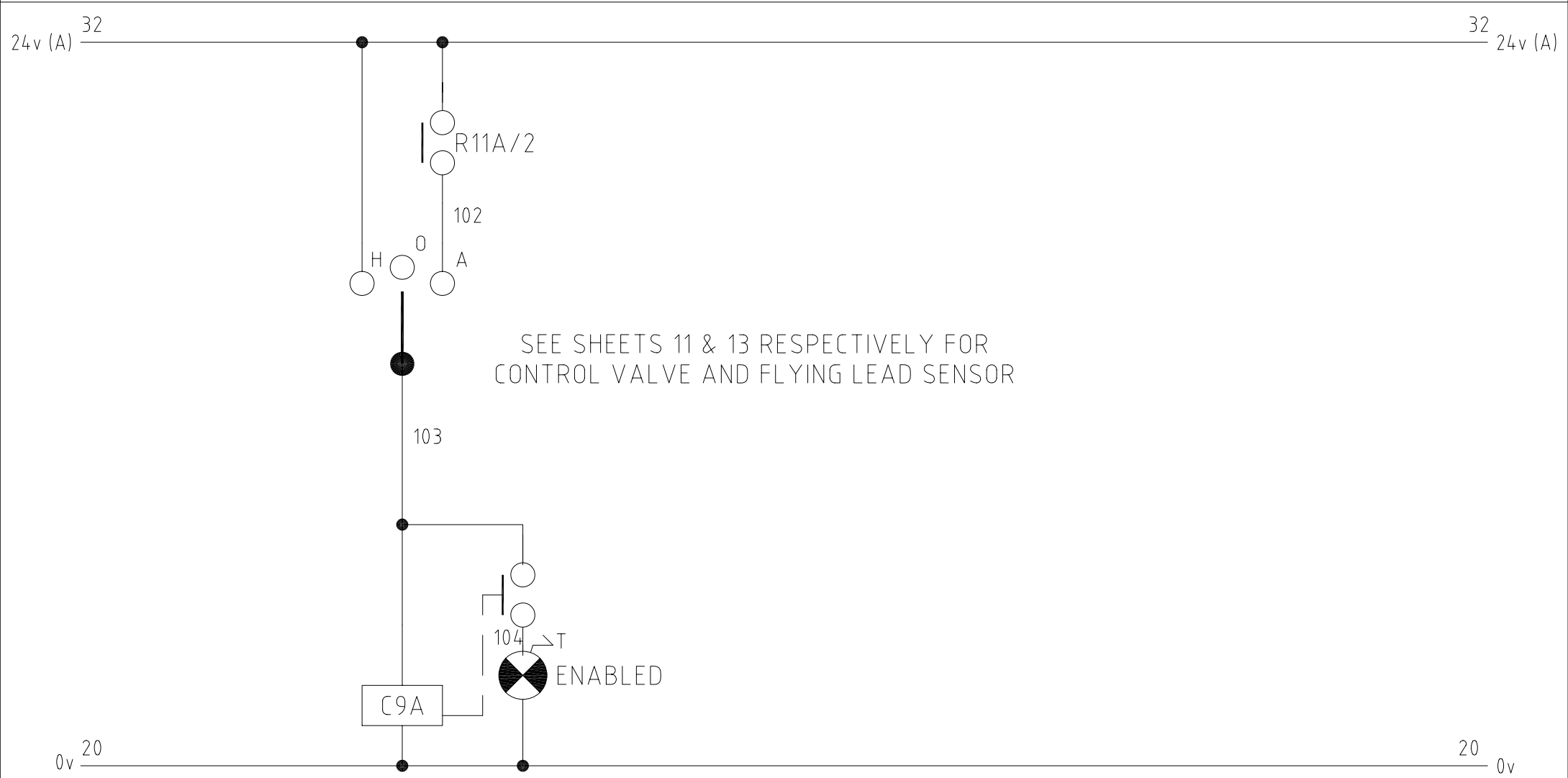
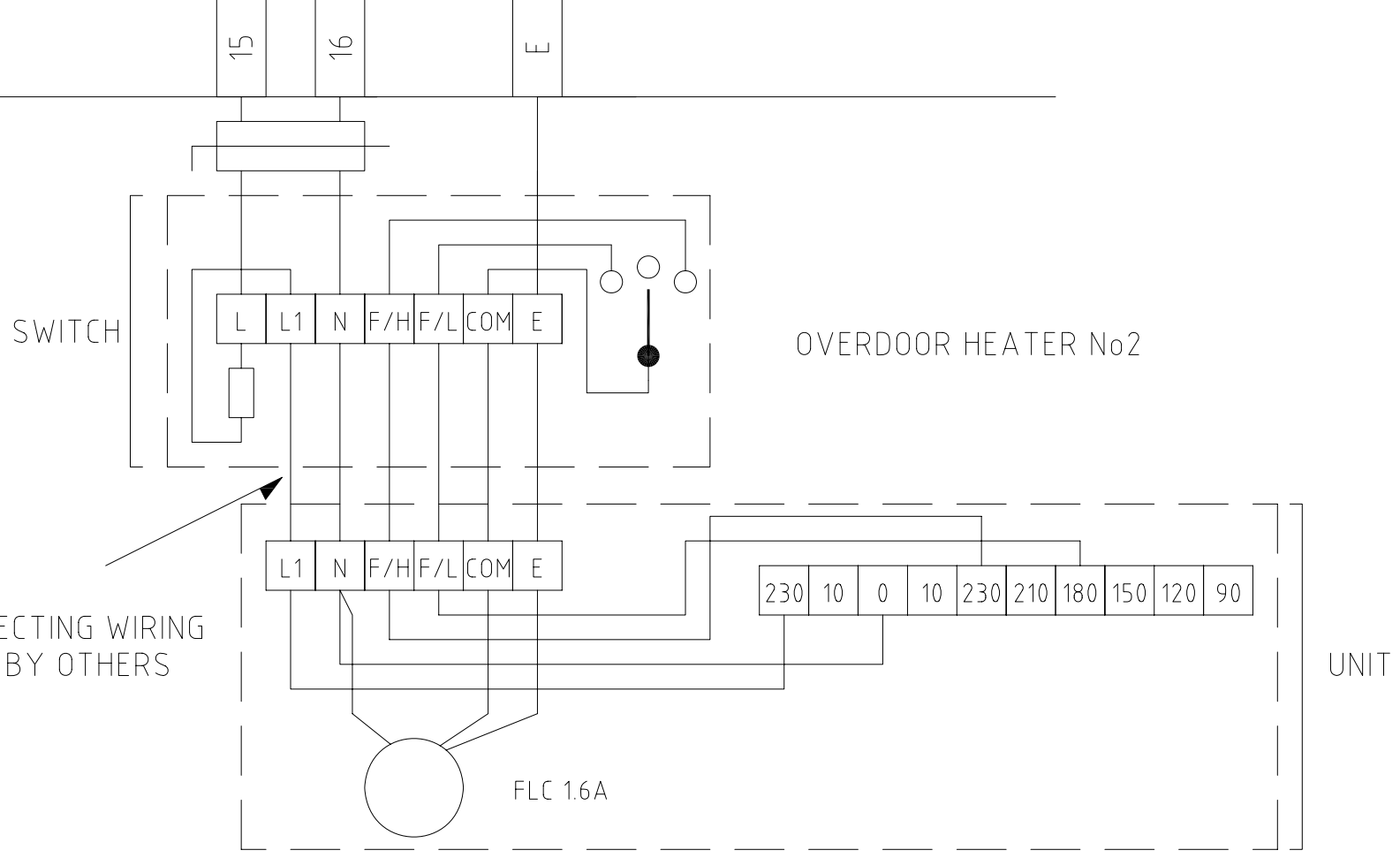
SEE SHEETS 11 & 13 RESPECTIVELY FOR
CONTROL VALVE AND FLYING LEAD SENSOR



LABEL DETAIL
TYPE: 211 REF: L 8A



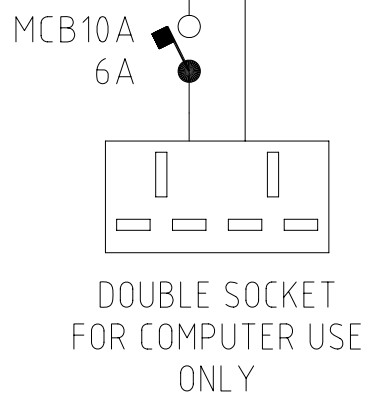
- 1) ENABLED - GREEN
- 2) HAND / OFF / AUTO
- 3) OVERDOOR HEATER No1



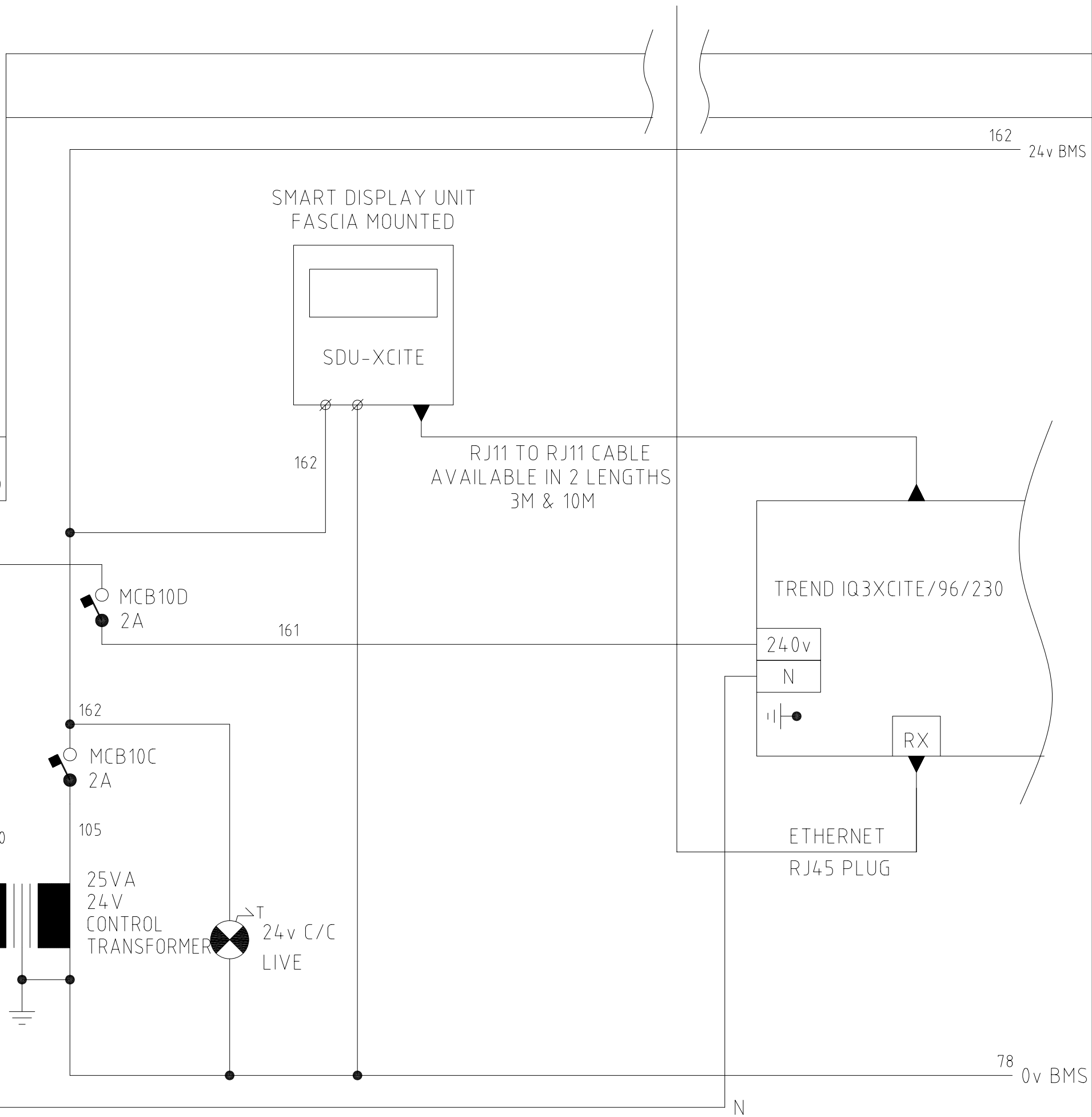
SEE SHEETS 11 & 13 RESPECTIVELY FOR
CONTROL VALVE AND FLYING LEAD SENSOR

L1
L2
L3
N

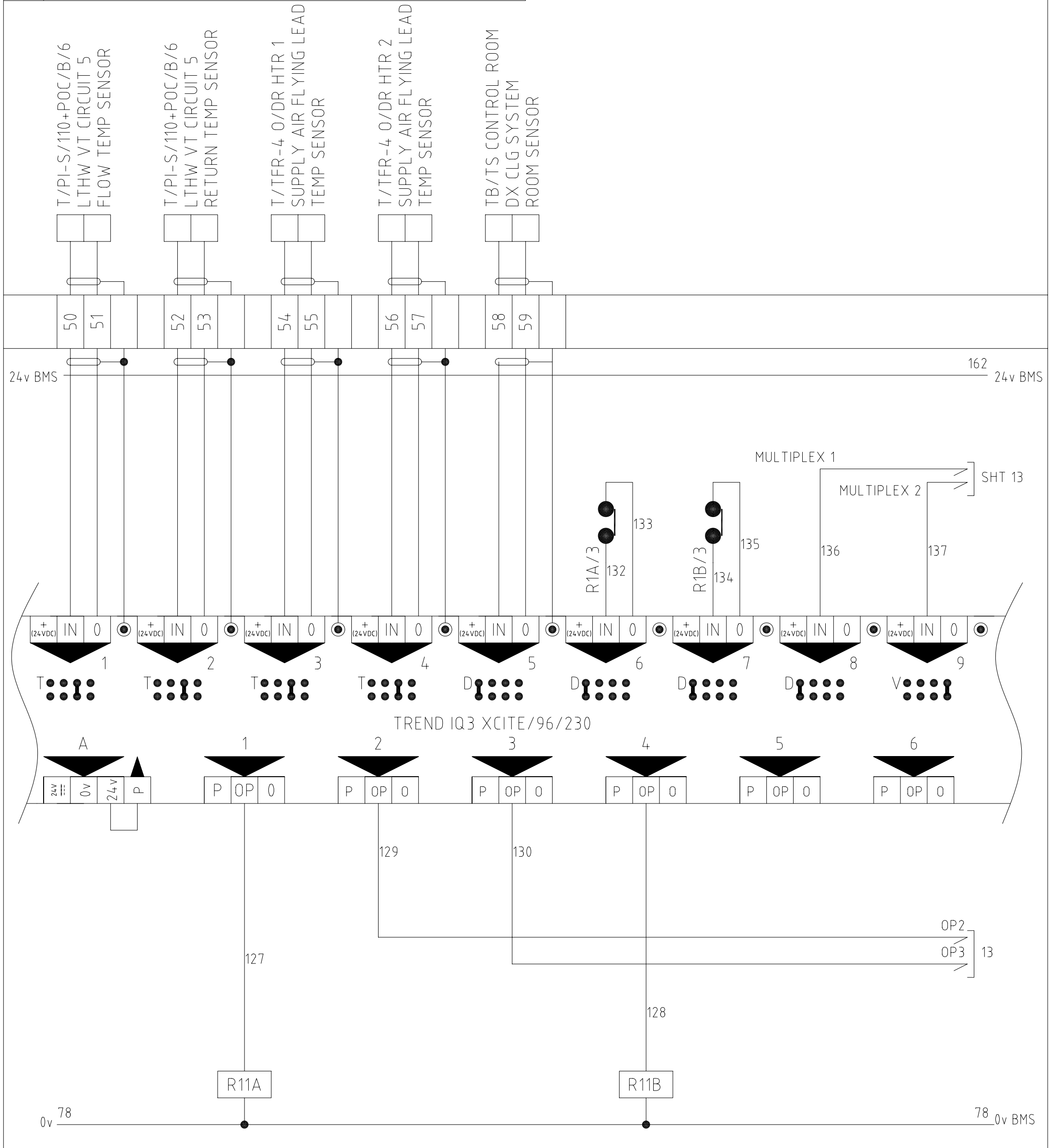
THE SDU REQUIRES 24VAC
LOCAL SUPERVISOR PORT RJ11 CARRIES SIGNAL
FROM IQ3XCITE.



ETHERNET NETWORK
(CAT 5 E, 4 TWISTED PAIR)
100M, MAX RUN
TREND PART No: CAT 5 E FTPLSZH305M(FTP)

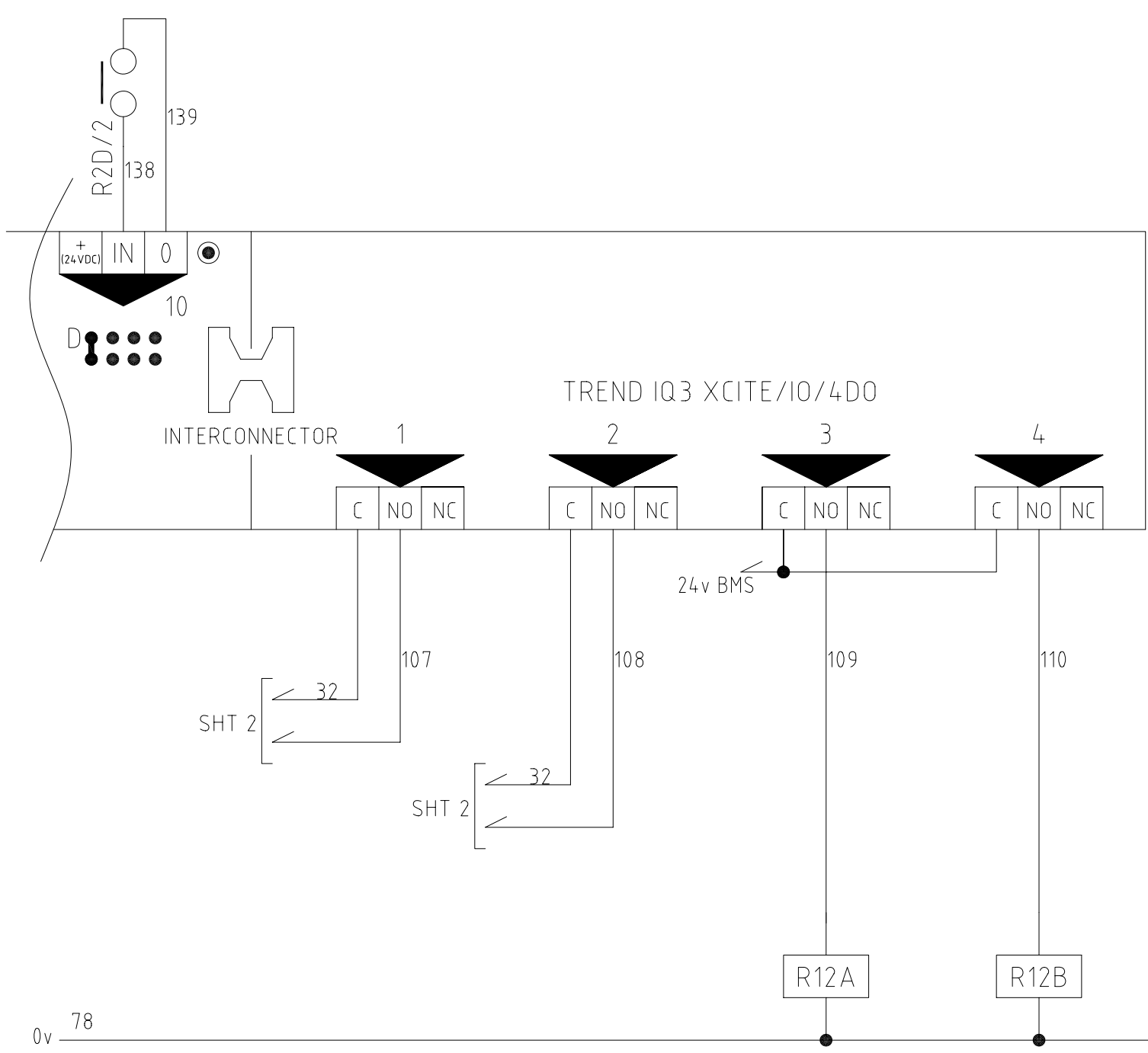


INPUTS		OUTPUTS	
TREND IQ3XCITE/96/230		TREND IQ3XCITE/96/230	
IN 1	LTHW VT ZONE 5 FLOW SENSOR	OP1	OVERDOOR HEATERS COMMON ENABLE SIGNAL
IN 2	LTHW VT ZONE 5 RETURN SENSOR	OP2	OVERDOOR HEATER No1 CONTROL VALVE
IN 3	OVERDOOR HEATER No1 SUPPLY AIR SENSOR	OP3	OVERDOOR HEATER No2 CONTROL VALVE
IN 4	OVERDOOR HEATER No2 SUPPLY AIR SENSOR	OP4	DANCE DRAMA CHANGINGTWINFAN TEF/007 START/STOP
IN 5	CONTROL ROOM DX COOLING SYSTEM ROOM SENSOR	OP5	
IN 6	FIREMANS SWITCH NORMAL	OP6	
IN 7	FIREMANS SWITCH EXTRACT		
IN 8	MULTIPLEX 1		
IN 9	MULTIPLEX 2		

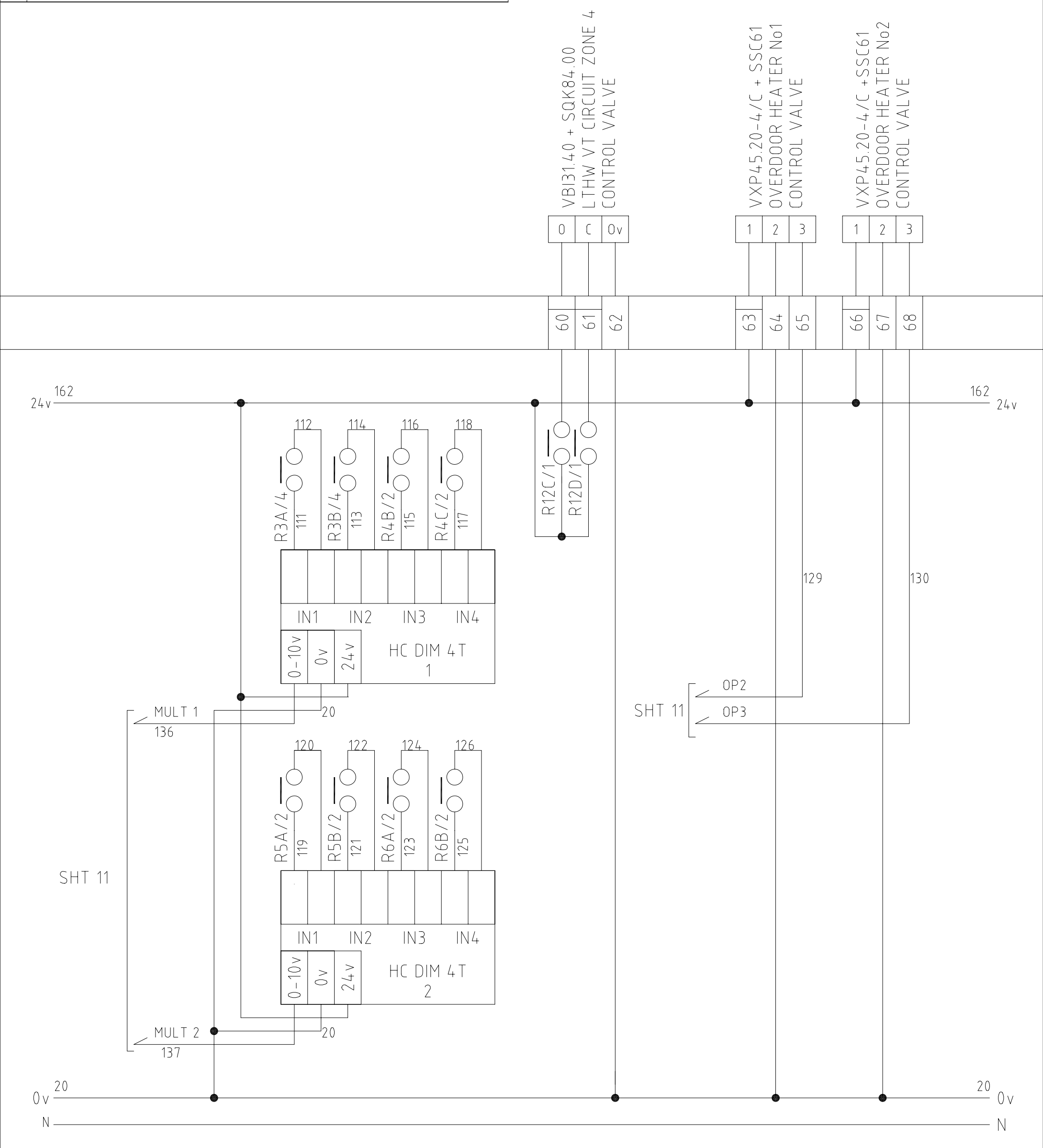


INPUTS		OUTPUTS	
TREND IQ3XCITE/96/230		TREND IQ3XCITE/96/230	
IN10	LTHW VT PUMPS P/VT5.0, FLOW FAILURE	OP1	LTHW VT PUMPS P/VT5.0 START/STOP
		OP2	LTHW VT PUMPS P/VT5.0 CHANGEOVER
		OP3	LTHW VT CIRCUIT P/VT5.0 CONTROL VALVE OPEN
		OP4	LTHW VT CIRCUIT P/VT5.0 CONTROL VALVE CLOSE

24v BMS 162 24v BMS



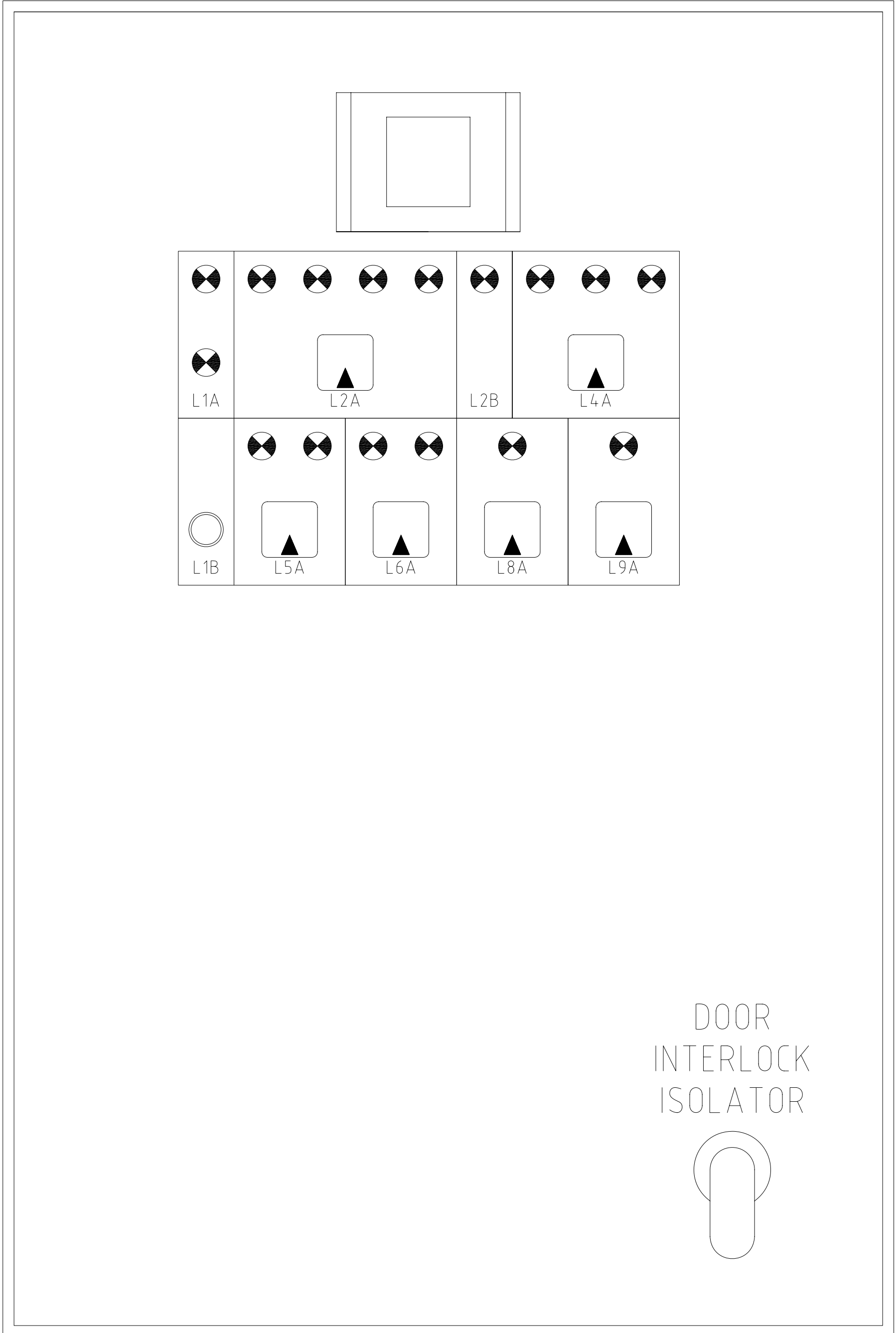
MODULE 1	
1	LTHW VT PUMPS P/VT5.0, PUMP 1 FAULT
2	LTHW VT PUMPS P/VT5.0, PUMP 2 FAULT
3	DANCE DRAMA CHANGING TWIN FAN TEF/007 RUN STATUS
4	DANCE DRAMA CHANGING TWIN FAN TEF/007 FAULT
MODULE 2	
1	CONTROL ROOM DX CLG SYSTEM DX/3.25/01 RUN STATUS
2	CONTROL ROOM DX CLG SYSTEM DX/3.25/01 FAULT
3	CONTROL ROOM DX CLG SYSTEM DX/3.25/02 RUN STATUS
4	CONTROL ROOM DX CLG SYSTEM DX/3.25/02 FAULT



TOP CABLE ENTRY

800mm

1200mm



APPROX SCALE - 1 : 5

300mm DEEP